

D-SUB Femaile Dual Row Crimp Type (stamped Pin)

ROHS COMPLIANT

	09pin	15pin	25pin	37pin
A	16.33	24.66	38.38	54.84
B	24.99	33.32	47.04	63.50
C	30.80	39.10	53.00	69.30

Material (材料):

Housing (塑胶): Temperature Thermoplastics, PBT+G. F UL 94V-0

Contact (端子): Brass or Bronze

Shell (壳): 0.35T Steel Nickel Plating All Area

Electical Characteristics (电气性能):

Current Rating (额定电流): 5A

Contact Resistance (接触阻抗): 20 milliohms Max

Withstanding Voltage (耐电压): 500V AC For 1 Minute

Insulation Resistance (绝缘阻抗): 1000 Megohms Min

Operating Temperature: (温度范围): -55° C to +105° C

Ordering Code:

DC01 - F - X - A - 0 - B - S
 ① ② ③ ④ ⑤ ⑥ ⑦

① Dual Row Crimp Type

② Contact Type:
F:Femiale

③ Contact NO.:
09=09pin 15=15pin
25=25pin 37=37pin

④ Mounting Option:
A: No accessories
B: Rear Rivet
C: Front Rivet

⑤ Accessories:

- 0: Non Accessories
- A: Zinc alloy 4.8mm Nickel
- Al: Zinc alloy 5.8mm Nickel
- B: Iron 4.8mm Nickel
- B1: Iron 5.8mm Nickel
- C: Copper alloy 4.8mm Nickel
- C1: Copper alloy 5.8mm Nickel
- D: Copper screw 4.8mm Nickel
- D1: Copper screw 5.8mm Nickel

⑥ Color Code:

- W: White L: Blue
- B: Black G: Grey

⑦ Contact Plating

- S: Selective Gold
- G0: Gold flash G1: 3u" Gold
- G2: 5u" Gold G3: 10u" Gold
- G4: 15u" Gold G5: 30u" Gold

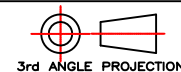
Unless Otherwise specified tolerance

- X: ±0.35
- X.X: ±0.25
- X.XX: ±0.20
- X.XXX: ±0.15

SCALE: 1:1 UNIT: mm

DRAWN: junfon H

CHECKED: YANG



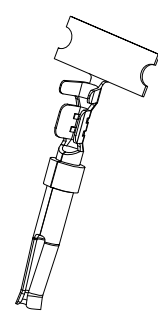
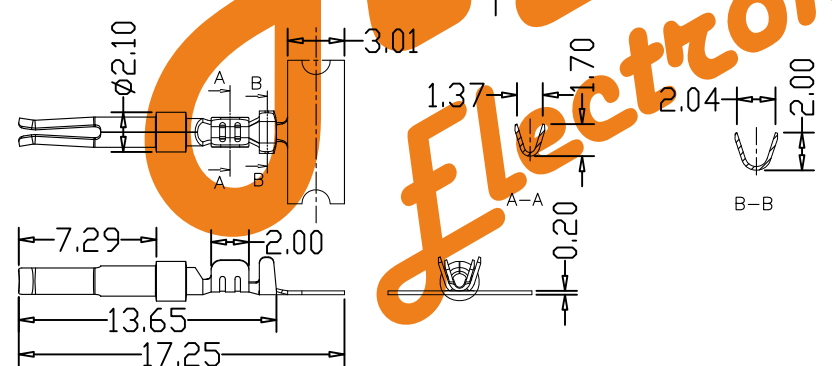
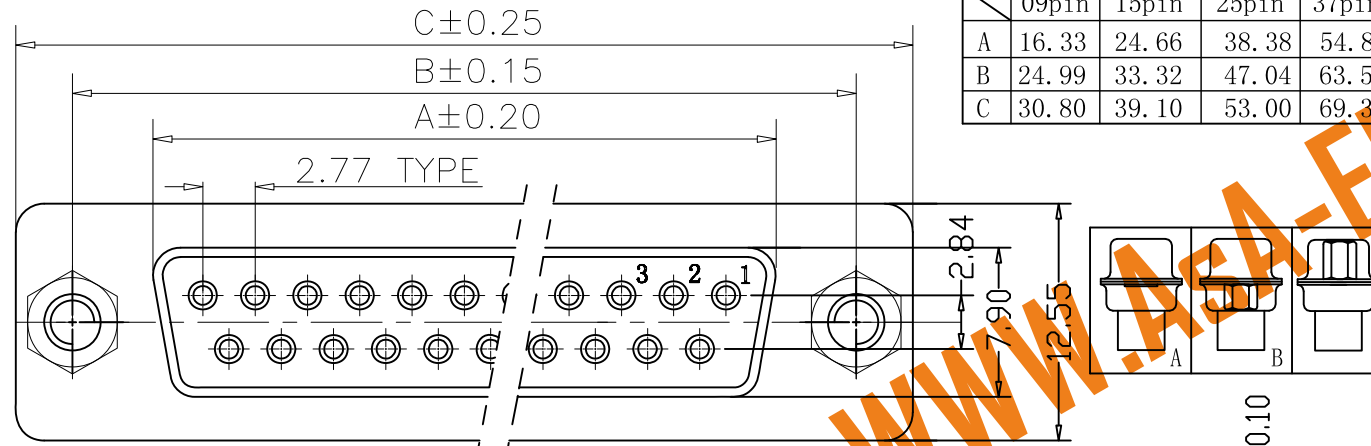
AsA Electronic Co.

Tel: (+98) 21 66 73 56 82 Mob: (+98) 912 03 161 02

TITLE: D-SUB Femaile Dual Row Crimp Type (stamped Pin)

DRAWING NO: DC01-FXXXXX

PRODUCT NO: DC01-FXXXXX



Femiale Terminal

REV	DESCRIPTION	DATE
1	Add option of plating	11/3/1